

Barstock valve for pressure gauges Model 910.81, stainless steel version

WIKA data sheet AC 09.18

Applications

- Shut-off and throttle valve for pressure measuring instruments, for measuring liquids, gases and vapours
- For aggressive media, also in aggressive environments
- Process industry: plant construction, chemical, petrochemical, power stations, mining, on- and offshore, and in the environmental sector

Special features

- Single block valve PN 420 DN 5
- Block and bleed valve PN 420 DN 5
- High-grade stainless steel versions

Description

Barstock valves are suited to shutting off the impulse line and for mounting pressure measuring instruments. As a standard, the valves feature external stem threads and ½ NPT connection threads. Other connections are available on request. For venting the measuring line, the barstock valves have an additional vent hole, which is sealed with a bolt when delivered (see drawings on reverse). Block and bleed valves also have a separate vent valve.

Standard version

Process connection

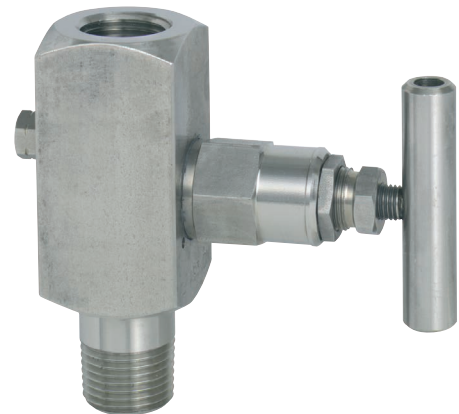
½ NPT

Valve body and valve spindle

metal seat, 1.4404 / 316L stainless steel

Bonnet

1.4401 / 316 stainless steel



**Barstock single block valve,
male/female ½ NPT, PN 420, DN 5**

Valve cone

1.4571 stainless steel

Gland packing

PTFE (for temperatures to a max. 200 °C)

T-handle

Stainless steel

Nominal pressure

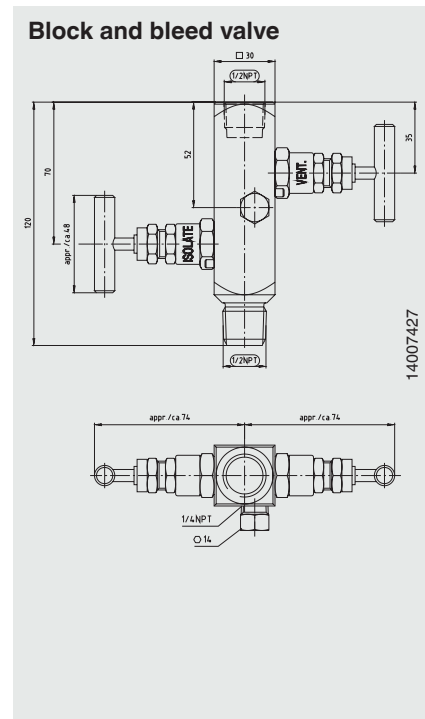
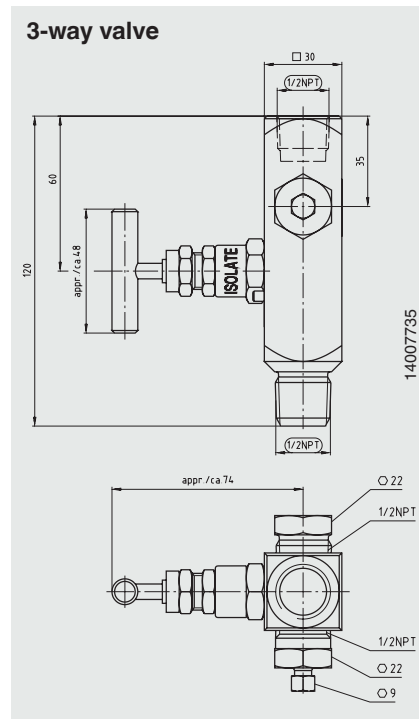
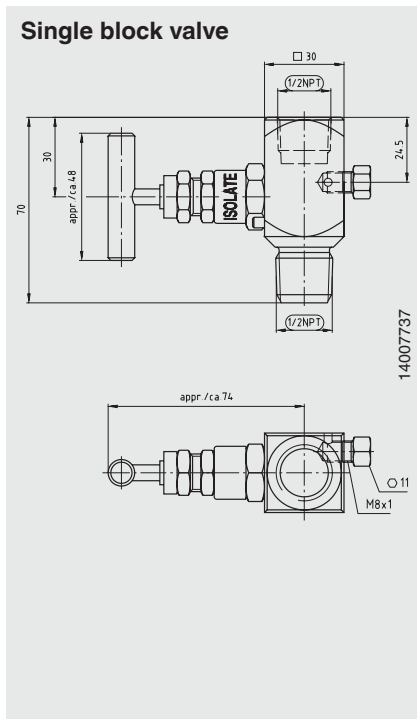
PN 420 bar (6,000 psi)

Options

- Nominal pressure up to PN 700 (10,000 psi)
- 3.1 material test certificate per EN 10204
- Oil and grease free version for oxygen
- Version with ¼ NPT
- Monel® and Hastelloy® special materials
- Version in accordance with NACE
- Anti-tamper protection (also lockable)

Version	Inlet	Outlet	Venting	Order no.
Single block valve	1/2 NPT female	1/2 NPT female	Screw	14007756
	1/2 NPT male	1/2 NPT female	Screw	14007737
	1/2 NPT male	1/2 NPT male	Screw	14007760
3-way valve	1/2 NPT male	1/2 NPT female	1/2 NPT	14007735
	1/2 NPT female	1/2 NPT female	1/2 NPT	14007773
Block and bleed valve	1/2 NPT male	1/2 NPT female	1/4 NPT	14007427
	1/2 NPT female	1/2 NPT female	1/4 NPT	14007733

Dimensions in mm



Ordering information

To order the described product, the given order number is sufficient. Other options require additional specification.

© 2007 WIKA Alexander Wiegand SE & Co. KG, all rights reserved.
The specifications given in this document represent the state of engineering at the time of publishing.
We reserve the right to make modifications to the specifications and materials.



WIKAI
WIKAI Alexander Wiegand SE & Co. KG
 Alexander-Wiegand-Straße 30
 63911 Klingenberg/Germany
 Tel. +49 9372 132-0
 Fax +49 9372 132-406
 info@wika.de
 www.wika.de